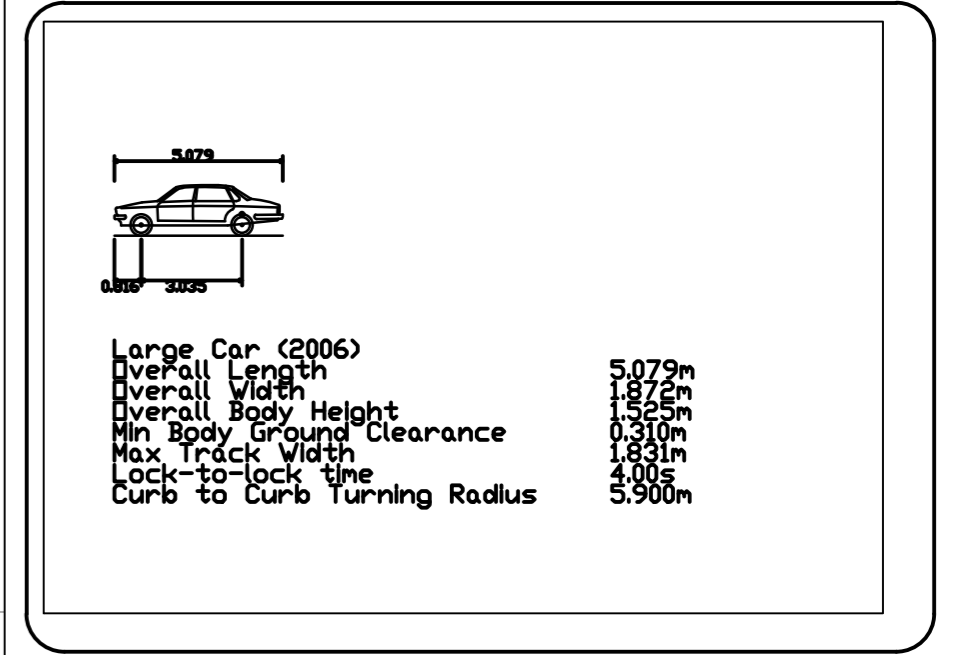
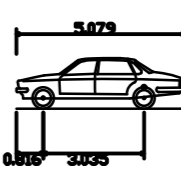


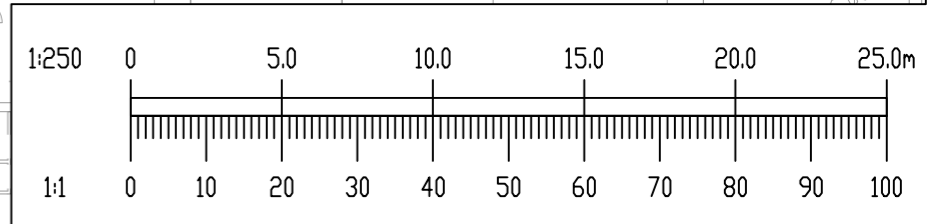
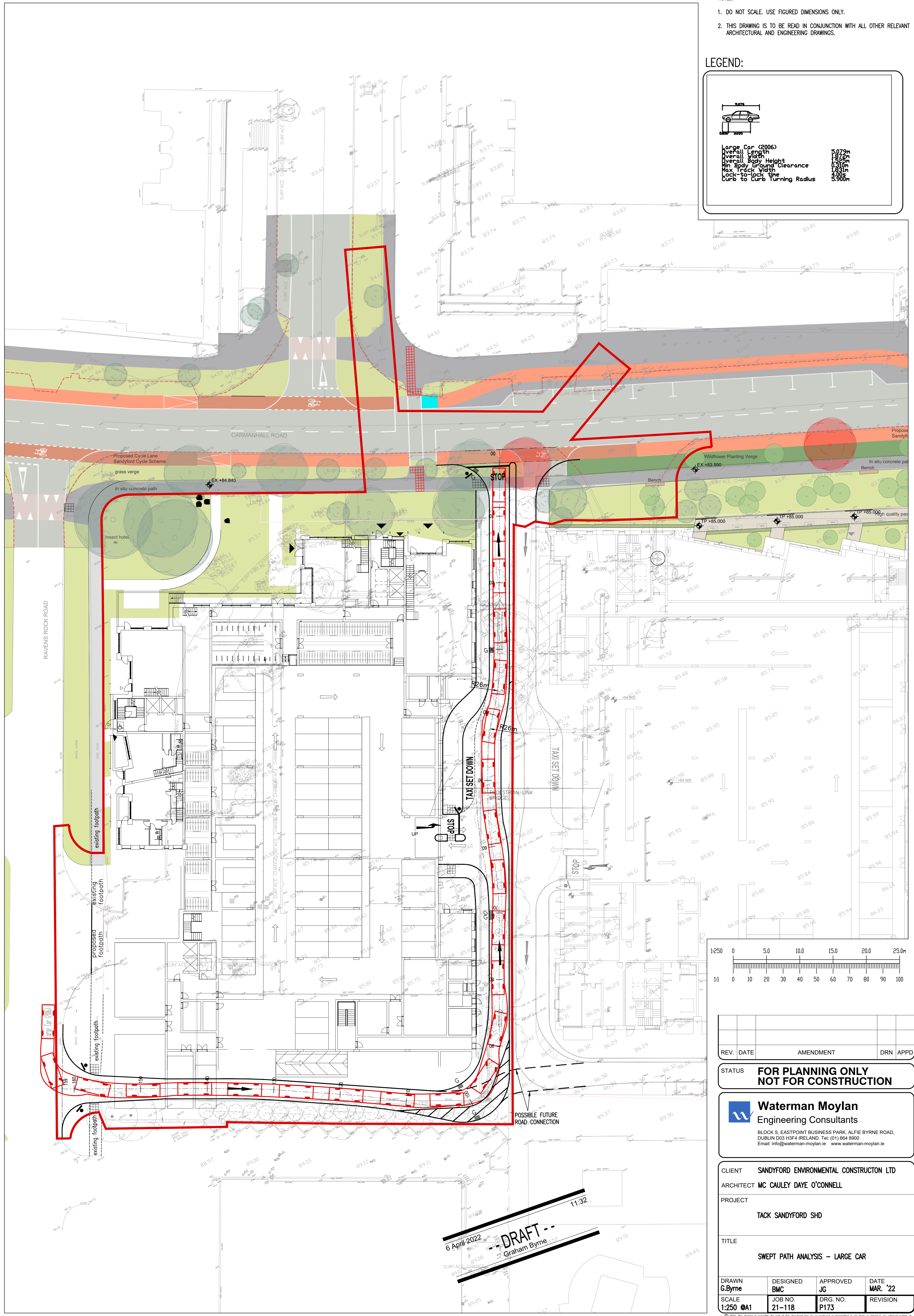
NOTES:

- DO NOT SCALE. USE FIGURED DIMENSIONS ONLY.
- THIS DRAWING IS TO BE READ IN CONJUNCTION WITH ALL OTHER RELEVANT ARCHITECTURAL AND ENGINEERING DRAWINGS.

LEGEND:




Large Car (2006)
 Overall Length 5.072m
 Overall Width 1.822m
 Overall Body Height 1.425m
 Min Body Ground Clearance 0.310m
 Max Track Width 1.631m
 Lock-to-lock Steer 4.005m
 Curb to Curb Turning Radius 5.900m



REV.	DATE	AMENDMENT	DRN	APPD

STATUS FOR PLANNING ONLY NOT FOR CONSTRUCTION


Waterman Moylan
 Engineering Consultants
 BLOCK S, EASTPOINT BUSINESS PARK, ALFIE BYRNE ROAD,
 DUBLIN D03 H3F4 IRELAND. Tel: (01) 664 8900
 Email: info@waterman-moylan.ie www.waterman-moylan.ie

CLIENT SANDYFORD ENVIRONMENTAL CONSTRUCTION LTD
 ARCHITECT MC CAULEY DAYE O'CONNELL
 PROJECT TACK SANDYFORD SHD
 TITLE SWEPT PATH ANALYSIS - LARGE CAR

DRAWN G.Byrne	DESIGNED BMC	APPROVED JG	DATE MAR '22
SCALE 1:250 @A1	JOB NO. 21-118	DRG. NO. P173	REVISION

6 April 2022
DRAFT
 Graham Byrne